

PARTS IDENTIFICATION

FIG. A: FRONT

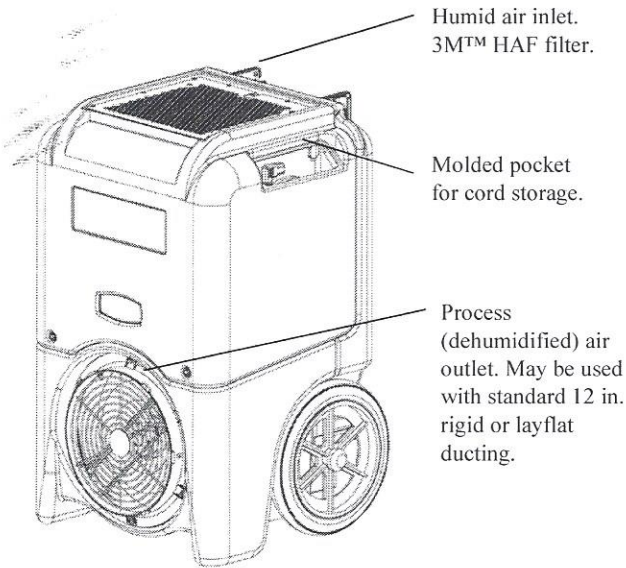


FIG. B: REAR

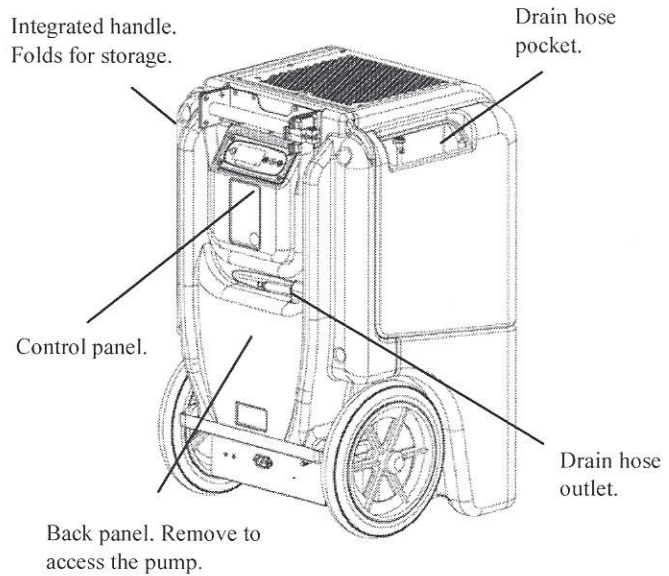
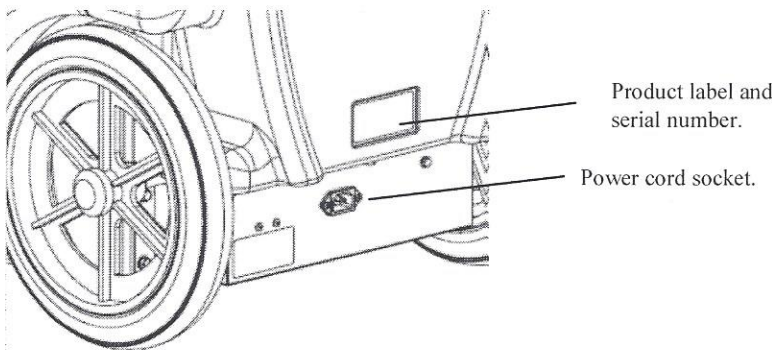


FIG. C: POWER ATTACHMENT POINT



OPERATING YOUR DEHUMIDIFIER

Set unit upright

NOTICE: Transporting or storing the unit in a horizontal position is not recommended. When the machine is placed in a horizontal position, the oil from the compressor can flow into the refrigerant coils and reduce the ability of the dehumidifier to function and possibly damage the unit. If the unit has been placed in a horizontal position, set it upright and let it stand for at least 30 minutes before turning it on.

Positioning a Dehumidifier

For best results, operate your dehumidifiers in an enclosed area. Close all doors and windows that open to the outside to maximize the unit's water removal efficiency. Place your dehumidifier away from obstructions, and keep it away from anything that could block airflow into and out of the unit. For more information about creating an optimum drying environment, contact Dri-Eaz at 800-932-3030.

Set up drain hose


The 7000XLi condensate pump connects to a plastic drainage hose that is located in the pocket on the side of the unit. This hose is equipped with a quick-connect fitting for quick attachment to the provided 40 ft. (12 m) drain hose. Unwrap the entire hose and place the unattached end in a sink, drain, bucket or outdoors – anywhere that water can drain out safely. If you use a bucket or other container for water collection, check it regularly to prevent overflows.

NOTICE: Uncoil and straighten the entire drain hose. Do not leave any part of the hose coiled on the unit and do not place the end of the hose higher than 20 ft. (6 m) above the bottom of the unit. Also check for kinks or other obstructions that might restrict the flow of water. Obstructions may cause a water backup and result in overflows.

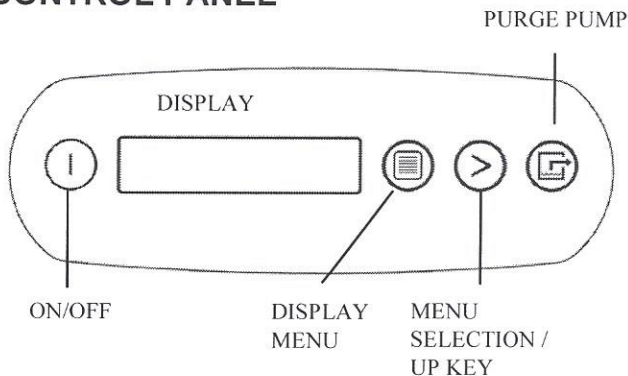
Plug in electrical cord

The 7000XLi dehumidifier should be plugged into a GFCI-protected 115 volt outlet rated for at least 15 amps. Remove the cord from its storage pocket and uncoil it. Always plug the cord firmly into the unit first, and then plug the other end into a suitable outlet.

Turn the unit on

The control panel on the 7000XLi dehumidifier has a display and a touchpad with four keys. Press the  ON/OFF to turn the unit on.

CONTROL PANEL



ON/OFF	Press and release to turn unit on or off.
DISPLAY MENU	Press to select next item in menu. Menu item will show in display.
MENU SELECTION / UP KEY	Press to toggle or select values in menu displayed.
PURGE PUMP	Press and release to start purge. Display will count down seconds remaining until purge is complete.

Startup display and normal display modes




When unit is first plugged in to AC power, the control panel display will briefly cycle through a series of readouts. This is part of the unit's self-diagnosis procedure and no user intervention is required.

Once the self-diagnosis is complete, the display will switch to **normal display mode**.

UNIT ON 00 HRS
INLET 00°C / INLET 00%

The **first line** of the display shows the total number of hours the unit has been in operation. This value may be reset to zero to track job hours (see "Job Hours Reset" below). The **second line** of the display alternates between inlet temperature and inlet humidity.

User Settings Menu

A number of settings may be changed by the user. System information can also be displayed. These items are accessed by pressing  DISPLAY MENU. Each press of the key will display the next parameter. When you reach the parameter you wish to adjust, press  MENU SELECTION to increase the value. Press  DISPLAY MENU again to accept the setting and re-start the display cycle. If no keys are selected for 20 seconds the display will automatically reset and return to the normal display mode.


Note that only menu items followed by a greater-than symbol (>) may be adjusted.


All settings and modes are discussed in detail in Control Panel Guide, p. 3.


Error messages

If the 7000XLi onboard diagnostics discover a problem, the unit will display an error message. See "Error Messages," p. 19, for an explanation of each message.

Control Panel Guide

 **ON/OFF.** Press to turn the unit on or off. When the machine is turned on, the display normally reads PLEASE WAIT COMP. DELAY and performs a numeral countdown from a maximum of 60 seconds to 0. This delay allows time for refrigerant pressures to equalize for easier starting. Once the unit completes the compressor delay, the display shows UNIT ON XX HRS and cycles between INLET XX°F and INLET XX%. NOTE: If no compressor delay countdown is displayed, a delay is not necessary and the machine will begin operation immediately.

 **DISPLAY MENU.** Press to cycle through the display of additional dehumidifier conditions and User Settings. To return to the main menu, press the ON/OFF key once.

 **MENU SELECTION.** Press to change the values of the "User Defined" settings. The MENU SELECTION key acts as the UP key for adjusting the setpoint for

Humidistat mode operation. See User Settings Menu (below) for details.

PURGE. Press to empty water from the condensate pump reservoir. The display will read PUMP PURGING with a numeral countdown. NOTE: During normal operation, the pump purges automatically every six minutes, or whenever the reservoir is full.

Changing settings and viewing system information

A number of settings may be changed by the user. System information is also available. These items are accessed by pressing **DISPLAY MENU**. Each press of the key will display the next parameter (see list below). When you reach the parameter you wish to adjust, press **MENU SELECTION** to increase the value. Press **DISPLAY MENU** again to accept the setting and re-start the display cycle. If no keys are selected for 20 seconds the display will automatically reset and return to the normal display mode.

Note that only menu items followed by a greater-than symbol (>) may be adjusted.

JOB HOURS RESET? >

Press **MENU SELECTION** to reset hours to zero. NOTE: When in Humidistat mode, the unit will display HUMIDISTAT on the top line during normal operation rather than JOB HOURS.

LIFE HOURS 00 HRS

Shows total unit operating hours. Value cannot be modified.

INLET	OUTLET
00° 00%	00° 00%

Shows current temperature and RH of inlet and outlet.

Humidistat Mode

HUMIDISTAT MODE ON/OFF >

In ON mode, unit will maintain the humidistat setpoint (see below). Press **MENU SELECTION** to toggle between ON and OFF. NOTE: When in Humidistat mode, the unit will display HUMIDISTAT on the top line during normal operation rather than JOB HOURS.

HUMIDISTAT SETPOINT 00% >

Sets humidity level when unit is in Humidistat Mode. Press **MENU SELECTION** to change RH value. Each press of the button increases the setting by 5% increments, cycling through 90%RH and starting again at 30%RH.

TEMP UNITS F° >

Shows current temperature scale. Press **MENU SELECTION** to select Fahrenheit or Centigrade scale.

LANGUAGE ENGLISH >

Shows current display panel language. Press **MENU SELECTION** to select Spanish, German, French or English.

COIL TEMP 00°F

Displays the cold (evaporator) coil temperature.

SENSOR ID > 0000000

This function is not used on the 7000XLi.

COMPRSSR CURRENT 0.0 A

Shows compressor current draw in amps.

AT THE END OF THE JOB

To reduce the possibility of drips when moving the unit, follow these additional steps to ensure that all water is removed from the unit.

NOTICE: To ensure the condensate tank empties completely while purging, make sure the unit is set fully upright.

1. If the unit is in a defrost cycle, wait until the unit has returned to normal operating mode before proceeding. To check, review the control panel. The control panel will show one of the following:

Defrost in progress:

UNIT ON 00 HRS DEFROST CYCLE

Normal Display:

UNIT ON 00 HRS INLET XX° F

Wait until the control shows the *normal display* before proceeding.

2. Gently rock the upright machine on its wheels to ensure any water remaining on interior surfaces falls into the sump area.
3. Press the **PURGE** key. When the purge cycle is complete, turn the unit off.
4. Remove the external drain hose, drain it carefully, and return it to the pocket provided on the side of the unit.
5. Unplug power cord from power supply and from base of the machine, coil neatly, and return it to the coil storage pocket (see Fig. A).

TRANSPORTATION AND STORAGE

NOTICE: Handle the unit carefully. Do not drop, throw, or place the unit where it could fall. Rough treatment can damage this equipment and may create a hazardous condition or void warranty.


- Do not expose the control panel to moisture, snow or rain.
- Store and transport securely to avoid any damaging impact to internal parts.
- Secure during transport to prevent sliding and possible injury to vehicle occupants.

Important

Do not store or transport the unit in a horizontal position (front, sides, or back). This will help to prevent condensate escaping from the unit or flowing into areas outside the condensate management system.

Special tip for transporting on stairs:

Before transporting unit on stairs, follow these additional steps to ensure that all water is removed from the unit:

1. Turn the unit off after a defrost cycle has been completed. Gently rock the upright machine on its wheels to ensure any water remaining on interior surfaces falls into the sump area.
2. Press the  PURGE key. When the purge cycle is complete, turn the unit off.
3. Remove the external drain hose, drain it carefully, and return it to the pocket provided on the side of the unit.

4. IMPORTANT: Remove power cord from base of unit, coil it neatly, and place it in the cord storage pocket. This will prevent the cord from catching on the stairs and possibly damaging the cord.